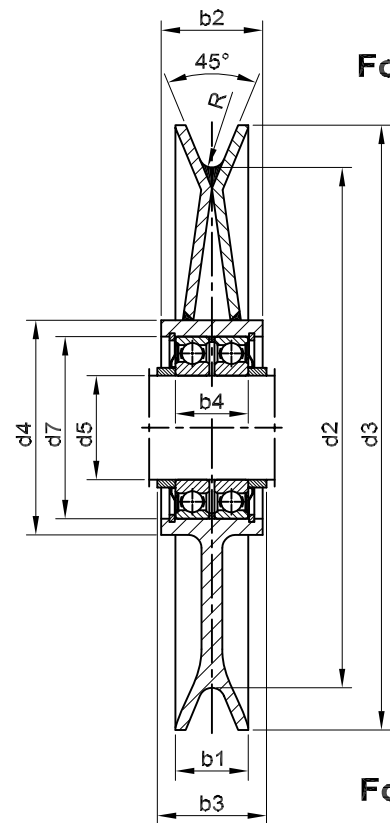
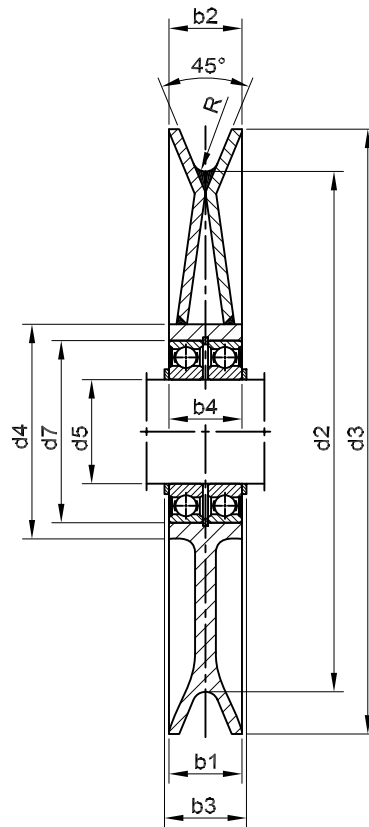


# Seilrollen mit Wälzlagerung

und gedrehter Rille

Seilrollen Typ: 108 / 208

Blatt Nr.: 1 von 3



Form 108

Form 208

Bestellbezeichnung einer vollständigen Seilrolle Form 108, von  $d_1 = 355$  mm  $d_5 = 70$  mm und  $R = 8$  mm

**Seilrolle 355 x 70 x 8**  
**Best. Nr. 108.35.14**

| R                    | d2  | d3                       | d4  | d5  | d7 <sup>M7</sup> | b1                   | b2 <sub>-0,2</sub> | b3 <sup>1)</sup> <sub>-0,2</sub> | b4     | Kugellager | Gew. ca. kg           | Bestell-Nr.: |
|----------------------|-----|--------------------------|-----|-----|------------------|----------------------|--------------------|----------------------------------|--------|------------|-----------------------|--------------|
| 2,5<br>3,2           | 125 | 150                      | 60  | 20  | 42               | 22                   | 26                 | 30                               | 26     | 6004 Z     | 2                     | 108. 12. 04  |
| 70                   |     |                          | 25  | 47  | 26               |                      | 30                 | 26                               | 6005 Z | 208. 05    |                       |              |
| 70                   |     |                          | 30  | 55  | 28               |                      | 33                 | 28                               | 6006 Z | 06         |                       |              |
| 80                   |     |                          | 35  | 62  | 30               |                      | 35                 | 30                               | 6007 Z | 07         |                       |              |
| 3,2<br>4             | 160 | 185<br>190               | 70  | 25  | 47               | 24<br>30             | 26                 | 30                               | 26     | 6005 Z     | 4                     | 108. 16. 05  |
| 70                   |     |                          | 30  | 55  | 28               |                      | 33                 | 28                               | 6006 Z | 208. 06    |                       |              |
| 90                   |     |                          | 35  | 62  | 30               |                      | 35                 | 30                               | 6007 Z | 07         |                       |              |
| 90                   |     |                          | 40  | 68  | 32,5             |                      | 37,5               | 32,5                             | 6008 Z | 08         |                       |              |
| 100                  |     |                          | 50  | 80  | 34,5             |                      | 40,5               | 34,5                             | 6010 Z | 10         |                       |              |
| 4<br>5               | 200 | 230<br>235               | 70  | 30  | 55               | 30<br>32             | 28                 | 33                               | 28     | 6006 Z     | 5                     | 108. 20. 06  |
| 90                   |     |                          | 35  | 62  | 30               |                      | 35                 | 30                               | 6007 Z | 208. 07    |                       |              |
| 90                   |     |                          | 40  | 68  | 32,5             |                      | 37,5               | 32,5                             | 6008 Z | 08         |                       |              |
| 100                  |     |                          | 50  | 80  | 34,5             |                      | 40,5               | 34,5                             | 6010 Z | 10         |                       |              |
| 125                  |     |                          | 60  | 95  | 39               |                      | 45                 | 39                               | 6012 Z | 12         |                       |              |
| 4<br>5<br>6,3        | 225 | 255<br>260<br>265        | 100 | 35  | 72               | 30<br>32<br>38       | 36,5               | 41,5                             | 36,5   | 6207 Z     | 6<br>7<br>7<br>7<br>8 | 108. 22. 07  |
| 100                  |     |                          | 40  | 80  | 38,5             |                      | 43,5               | 38,5                             | 6208 Z | 208. 08    |                       |              |
| 115                  |     |                          | 45  | 85  | 41               |                      | 47                 | 41                               | 6209 Z | 09 U       |                       |              |
| 115                  |     |                          | 50  | 90  | 43               |                      | 49                 | 43                               | 6210 Z | 10         |                       |              |
| 140                  |     |                          | 60  | 110 | 48               |                      | 54                 | 48                               | 6212 Z | 12         |                       |              |
| 5<br>5,6<br>6,3<br>7 | 250 | 285<br>285<br>290<br>295 | 100 | 40  | 80               | 32<br>34<br>38<br>44 | 38,5               | 43,5                             | 38,5   | 6208 Z     | 8<br>8<br>9<br>10     | 108. 25. 08  |
| 115                  |     |                          | 50  | 90  | 43               |                      | 49                 | 43                               | 6210 Z | 208. 10    |                       |              |
| 140                  |     |                          | 60  | 100 | 48               |                      | 54                 | 48                               | 6212 Z | 12         |                       |              |
| 150                  |     |                          | 70  | 125 | 52               |                      | 59                 | 52                               | 6214 Z | 14         |                       |              |

GOMA GmbH  
Waagenstr. 32  
D-40229 Düsseldorf

Telefon: +49 (0) 211-28 07 04 - 0  
Telefax: +49 (0) 211-28 07 04 - 44  
E-Mail: info@goma-gmbh.de



**GOMA GmbH**  
Maschinenbau

# Seilrollen mit Wälzlagerung

Seilrollen Typ: 108 / 208

und gedrehter Rille

Blatt Nr.: 2 von 3

| R                         | d2  | d3  | d4  | d5  | d7 <sup>M7</sup> | b1  | b2 <sub>-0,2</sub> | b3 <sup>1)</sup> <sub>-0,2</sub> | b4  | Kugellager | Gew.<br>ca. kg | Bestell-Nr.: |
|---------------------------|-----|-----|-----|-----|------------------|-----|--------------------|----------------------------------|-----|------------|----------------|--------------|
| 5,6<br>6,3<br>7<br>8      | 280 | 315 | 115 | 50  | 90               | 34  | 43                 | 49                               | 43  | 6210 Z     | 10             | 108. 28. 10  |
|                           |     | 320 | 130 | 55  | 100              | 38  | 45                 | 51                               | 45  | 6211 Z     | 10             | 208. 11 U    |
|                           |     | 325 | 140 | 60  | 110              | 44  | 48                 | 54                               | 48  | 6212 Z     | 11             | 12           |
|                           |     | 330 | 150 | 70  | 125              | 50  | 52                 | 59                               | 52  | 6214 Z     | 12             | 14           |
|                           |     |     | 165 | 80  | 140              | 50  | 56                 | 63                               | 56  | 6216 Z     | 13             | 16           |
| 6,3<br>7<br>8<br>9        | 315 | 355 | 115 | 50  | 90               | 38  | 43                 | 49                               | 43  | 6210 Z     | 13             | 108. 31. 10  |
|                           |     | 360 | 140 | 60  | 110              | 44  | 48                 | 54                               | 48  | 6212 Z     | 14             | 208. 12 U    |
|                           |     | 365 | 150 | 70  | 125              | 50  | 52                 | 59                               | 52  | 6214 Z     | 15             | 14           |
|                           |     | 375 | 165 | 80  | 140              | 56  | 56                 | 63                               | 56  | 6216 Z     | 15             | 16           |
| 7<br>8<br>9<br>10         | 355 | 400 | 140 | 60  | 110              | 44  | 48                 | 54                               | 48  | 6212 Z     | 16             | 108. 35. 12  |
|                           |     | 405 | 150 | 70  | 125              | 50  | 52                 | 59                               | 52  | 6214 Z     | 17             | 208. 14 U    |
|                           |     | 415 | 165 | 80  | 140              | 56  | 56                 | 63                               | 56  | 6216 Z     | 19             | 16           |
|                           |     | 420 | 190 | 90  | 160              | 60  | 64                 | 71                               | 64  | 6218 Z     | 21             | 18           |
| 8<br>8,5<br>9<br>10<br>11 | 400 | 450 | 140 | 60  | 110              | 50  | 48                 | 54                               | 48  | 6212 Z     | 23             | 108. 40. 12  |
|                           |     | 455 | 150 | 70  | 125              | 52  | 52                 | 59                               | 52  | 6214 Z     | 24             | 208. 14      |
|                           |     | 460 | 165 | 75  | 130              | 56  | 54                 | 61                               | 54  | 6215 Z     | 25             | 15 U         |
|                           |     | 465 | 165 | 80  | 140              | 60  | 56                 | 63                               | 56  | 6216 Z     | 25             | 16           |
|                           |     | 470 | 190 | 90  | 160              | 64  | 64                 | 71                               | 64  | 6218 Z     | 27             | 18           |
|                           |     |     | 215 | 100 | 180              | 64  | 72                 | 79                               | 72  | 6220 Z     | 30             | 20           |
| 9<br>10<br>11<br>12,5     | 450 | 510 | 150 | 70  | 125              | 56  | 52                 | 60                               | 52  | 6214 Z     | 30             | 108. 45. 14  |
|                           |     | 515 | 165 | 80  | 140              | 60  | 56                 | 63                               | 56  | 6216 Z     | 32             | 208. 16 U    |
|                           |     | 520 | 190 | 90  | 160              | 64  | 64                 | 71                               | 64  | 6218 Z     | 34             | 18           |
|                           |     | 520 | 215 | 100 | 180              | 64  | 72                 | 79                               | 72  | 6220 Z     | 37             | 20           |
|                           |     |     | 245 | 110 | 200              | 70  | 80                 | 87                               | 80  | 6222 Z     | 42             | 22           |
| 10<br>11<br>12,5<br>14    | 500 | 565 | 165 | 80  | 140              | 60  | 56                 | 63                               | 56  | 6216 Z     | 38             | 108. 50. 16  |
|                           |     | 570 | 190 | 90  | 160              | 64  | 64                 | 71                               | 64  | 6218 Z     | 41             | 208. 18 U    |
|                           |     | 570 | 215 | 100 | 180              | 70  | 72                 | 79                               | 72  | 6220 Z     | 43             | 20           |
|                           |     | 580 | 245 | 110 | 200              | 74  | 80                 | 87                               | 80  | 6222 Z     | 50             | 22           |
|                           |     |     | 265 | 120 | 215              | 74  | 105                | 110                              | 85  | 6224       | 57             | 24           |
| 11<br>12,5<br>14<br>16    | 560 | 630 | 190 | 90  | 160              | 64  | 64                 | 71                               | 64  | 6218 Z     | 52             | 108. 56. 18  |
|                           |     | 630 | 215 | 100 | 180              | 70  | 72                 | 79                               | 72  | 6220 Z     | 56             | 208. 20 U    |
|                           |     | 640 | 245 | 110 | 200              | 74  | 80                 | 87                               | 80  | 6222 Z     | 63             | 22           |
|                           |     | 650 | 265 | 120 | 215              | 74  | 105                | 110                              | 85  | 6224       | 68             | 24           |
|                           |     |     | 265 | 140 | 210              | 84  | 100                | 105                              | 80  | 6028       | 64             | 28 U         |
|                           |     |     |     |     |                  |     |                    |                                  |     |            |                |              |
| 12,5<br>14<br>16<br>18    | 630 | 700 | 215 | 100 | 180              | 70  | 72                 | 79                               | 72  | 6220 Z     | 70             | 108. 63. 20  |
|                           |     | 710 | 245 | 110 | 200              | 74  | 80                 | 87                               | 80  | 6222 Z     | 75             | 208. 22 U    |
|                           |     | 720 | 265 | 120 | 215              | 84  | 105                | 110                              | 85  | 6224       | 79             | 24           |
|                           |     | 730 | 265 | 140 | 210              | 96  | 100                | 105                              | 80  | 6028       | 79             | 28           |
|                           |     |     | 275 | 150 | 225              | 96  | 100                | 105                              | 80  | 6030       | 80             | 30 U         |
| 14<br>16<br>18<br>20      | 710 | 790 | 245 | 110 | 200              | 74  | 80                 | 87                               | 80  | 6222 Z     | 92             | 108. 71. 22  |
|                           |     | 800 | 265 | 120 | 215              | 84  | 115                | 120                              | 95  | 6224       | 96             | 208. 24 U    |
|                           |     | 810 | 265 | 140 | 210              | 96  |                    |                                  |     | 6028       | 97             | 28           |
|                           |     | 820 | 275 | 150 | 225              | 96  |                    |                                  |     | 6030       | 99             | 30           |
|                           |     |     | 295 | 160 | 240              | 106 |                    |                                  |     | 6032       | 103            | 32           |
|                           |     |     | 305 | 170 | 260              |     |                    |                                  |     | 6034       | 106            | 34 U         |
| 16<br>18<br>20<br>22      | 800 | 890 | 265 | 120 | 215              | 84  |                    |                                  |     | 6224       | 140            | 108. 80. 24  |
|                           |     | 900 | 275 | 130 | 230              | 96  |                    |                                  |     | 6226       | 140            | 208. 26 U    |
|                           |     | 910 | 265 | 140 | 210              | 106 | 120                | 125                              | 100 | 6028       | 138            | 28           |
|                           |     | 920 | 275 | 150 | 225              | 106 |                    |                                  |     | 6030       | 138            | 30           |
|                           |     |     | 290 | 160 | 240              | 116 |                    |                                  |     | 6032       | 145            | 32           |
|                           |     |     | 325 | 180 | 280              |     |                    |                                  |     | 6036       | 155            | 36 U         |



# Seilrollen mit Wälzlagerung

Seilrollen Typ: 108 / 208

und gedrehter Rille

Blatt Nr.: 3 von 3

| R                    | d2   | d3   | d4  | d5  | d7 <sup>M7</sup> | b1  | b2 <sub>-0,2</sub> | b3 <sup>1)</sup> <sub>-0,2</sub> | b4  | Kugellager | Gew. ca. kg | Bestell-Nr.:  |
|----------------------|------|------|-----|-----|------------------|-----|--------------------|----------------------------------|-----|------------|-------------|---------------|
| 18<br>20<br>22<br>25 | 900  | 1000 | 265 | 130 | 230              | 96  | 130                | 135                              | 110 | 6226       | 167         | 108. 90. 26   |
|                      |      | 1010 | 265 | 140 | 210              |     |                    |                                  |     | 6028       | 164         | 208. 90. 28 U |
|                      |      | 1020 | 275 | 150 | 225              |     |                    |                                  |     | 6030       | 165         | 30            |
|                      |      | 1035 | 290 | 160 | 240              |     |                    |                                  |     | 6032       | 171         | 32            |
|                      |      |      | 325 | 180 | 280              |     |                    |                                  |     | 6036       | 180         | 36            |
|                      |      | 355  | 200 | 310 | 6040             | 192 | 40 U               |                                  |     |            |             |               |
| 20<br>22<br>25<br>28 | 1000 | 1110 | 265 | 140 | 210              | 106 | 140                | 150                              | 120 | 6028       | 216         | 108. 100. 28  |
|                      |      | 1120 | 275 | 150 | 225              |     |                    |                                  |     | 6030       | 217         | 208. 100. 30  |
|                      |      | 1135 | 290 | 160 | 240              |     |                    |                                  |     | 6032       | 223         | 32            |
|                      |      | 1150 | 325 | 180 | 280              |     |                    |                                  |     | 6036       | 232         | 36            |
|                      |      |      | 355 | 200 | 310              |     |                    |                                  |     | 6040       | 245         | 40            |
|                      |      | 395  | 220 | 340 | 6044             | 263 | 44 U               |                                  |     |            |             |               |
| 22<br>25<br>28       | 1120 | 1240 | 275 | 130 | 230              | 116 | 140                | 150                              | 120 | 6226       | 268         | 108. 112. 26  |
|                      |      | 1255 | 265 | 140 | 210              |     |                    |                                  |     | 6028       | 265         | 208. 112. 28  |
|                      |      | 1270 | 275 | 150 | 225              |     |                    |                                  |     | 6030       | 266         | 30            |
|                      |      |      | 290 | 160 | 240              |     |                    |                                  |     | 6032       | 271         | 32            |
|                      |      |      | 325 | 180 | 280              |     |                    |                                  |     | 6036       | 280         | 36            |
|                      |      | 355  | 200 | 310 | 6040             | 292 | 40                 |                                  |     |            |             |               |
|                      |      | 410  | 240 | 360 | 6048             | 312 | 48 U               |                                  |     |            |             |               |
| 22<br>25<br>28       | 1250 | 1370 | 265 | 140 | 210              | 116 | 150                | 160                              | 130 | 6028       | 338         | 108. 125. 28  |
|                      |      | 1385 | 275 | 150 | 225              |     |                    |                                  |     | 6030       | 339         | 208. 125. 30  |
|                      |      | 1400 | 290 | 160 | 240              |     |                    |                                  |     | 6032       | 345         | 32            |
|                      |      |      | 325 | 180 | 280              |     |                    |                                  |     | 6036       | 355         | 36            |
|                      |      |      | 355 | 200 | 310              |     |                    |                                  |     | 6040       | 366         | 40            |
|                      |      | 395  | 220 | 340 | 6044             | 390 | 44                 |                                  |     |            |             |               |
|                      |      | 450  | 260 | 400 | 6052             | 417 | 52 U               |                                  |     |            |             |               |

Werkstoff

Ronden RSt 37.2

Nabe St 35.29 oder RSt. 37.2

1) wenn  $b1 \geq b3$ , kann bei Bedarf  $b3$  durch Distanzringe verbreitert werden.

U = Seilrollen für Unterflaschen

